

2/2-way valves DN 8 to DN 25

For neutral steam and liquids

Indirectly solenoid actuated

Piston valves

Internal threads G 1/4 to G 1 or 1/4 NPT to 1 NPT

Operating pressure 1 to 25 bar

85320

85330

Click-on[®]



Description (standard valve)

Solenoid valve for steam, hot water and other neutral fluids

Switching function:	normally closed
Flow direction:	determined
Differential pressure:	1 bar required
Fluid temperature:	-10 °C up to max. +200 °C
Ambient temperature:	-10 °C up to max. +50 °C, with solenoid mounted vertical underneath max. +60 °C
Mounting position:	optional, preferably solenoid vertical on top

Material

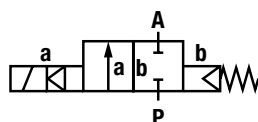
Body:	Brass (CW617N)
Seat seal:	PTFE
Internal parts:	Stainless steel, FPM, PTFE

For contaminated fluids insertion of a strainer is recommended.

Features

- Compact piston valve
- High flow rate
- Damped operation
- Functional compact design
- Solenoid interchangeable without tools (**Click-on[®]**)
- Stainless steel piston bushing

Symbol



Ordering information

To order, quote model number from table overleaf, e. g. 8532400.9152 for a DN 25 valve.

Characteristic Data

Valves

Part Number	Nominal Diameter (mm)	Connection Size	Operating Pressure *		K _v -value ** (Base m ³ /h)	Weight Total (kg)
			min. (bar)	max. (bar)		
8532000.9152 8533000.9152	8	G 1/4 1/4 NPT	1	25	2.2	0.83
8532100.9152 8533100.9152	10	G 3/8 3/8 NPT	1	25	3.4	0.82
8532200.9152 8533200.9152	12	G 1/2 1/2 NPT	1	25	4.4	0.85
8532300.9152 8533300.9152	20	G 3/4 3/4 NPT	1	25	7.0	1.25
8532400.9152 8533400.9152	25	G 1 1 NPT	1	25	10.5	1.70

* for gases and liquid fluids up to 40 mm²/s (cSt)

State voltage [V] and frequency [Hz]

** C_v-value (US) ≈ K_v-value x 1.2

Solenoid 9152

Standard voltage

DC ===	AC ~ 50 Hz	AC ~ 60 Hz
24 V	24 V	–
–	110 V	120 V
–	230 V	220 V

Design acc. to DIN VDE 0580

Voltage range ±10 %

100 % duty cycle

Protection class acc. to EN 60529 IP65

Socket Form A acc. to DIN EN 175301-803 (included)

Power Consumption

According to DIN VDE 0580 at coil temperature of +20 °C. In operation the power consumption of the solenoid decreases by approx. 30 %.

Solenoid	DC ===	AC ~	
		Inrush	Holding
9152 *	10 W	15 VA	10 VA

*  coil only

Attention!

The conditions imposed on the Ex approvals lead to reduction of the permissible standard temperature ranges in the cases of explosion protected solenoids.

Further Options (Valves)

XXXXX01.XXXX Normally open,
Operating pressure 1 up to 16 bar

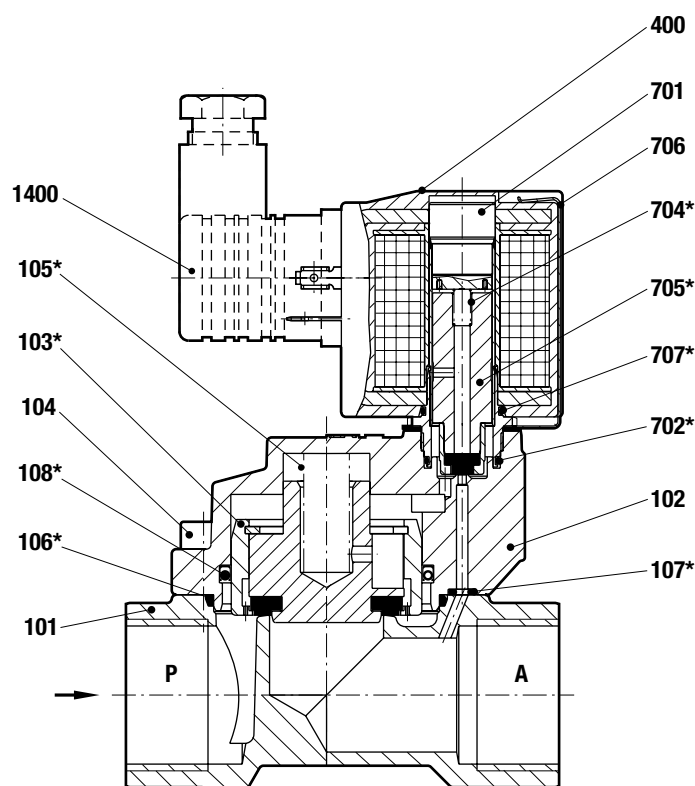
XXXXX02.XXXX Manual override

On request Further versions

Further Options (Solenoids)

On request Further versions

Section View

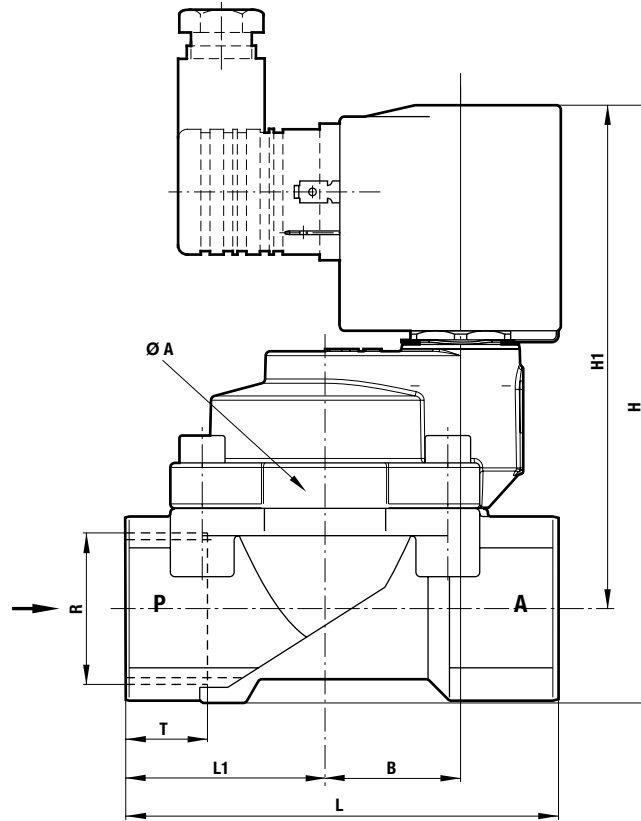


- 101 Valve body
- 102 Valve cover
- *103 Valve plate
- 104 Allen head screw
- *105 Pressure spring
- *106 Gasket
- *107 O-ring
- *108 Lip seal
- 400 Solenoid
- 701 Core tube
- *702 O-ring
- *704 Pressure spring
- *705 Plunger
- 706 Spring clip
- *707 O-ring
- 1400 Electrical connector (included)

* These individual parts form a complete wearing unit.
 When ordering spare parts please state Cat. No. and Series No.

General Dimensions

Solenoid rotatable 360°
 Socket turnable 4 x 90°
 (Socket included)



Part Number	Nominal Diameter (mm)	Connection Size	Ø A (mm)	H (mm)	H 1 (mm)	L (mm)	L 1 (mm)	T (mm)
8532000.9152 8533000.9152	8	G 1/4 1/4 NPT	44	105.0	93.5	60	27.5	12
8532100.9152 8533100.9152	10	G 3/8 3/8 NPT	44	105.0	93.5	60	27.5	12
8532200.9152 8533200.9152	12	G 1/2 1/2 NPT	44	107.5	93.5	67	31.0	14
8532300.9152 8533300.9152	20	G 3/4 3/4 NPT	50	119.0	102.5	80	36.5	16
8532400.9152 8533400.9152	25	G 1 1 NPT	62	131.5	110.5	95	44.0	18

Note to Pressure Equipment Directive (PED):

The valves of this series, including the connection size DN 25 (G 1), are according to Art. 3 § 3 of the Pressure Equipment Directive (PED) 97/23/EG. This means interpretation and production are in accordance to engineers practice wellknown in the member countries.

The CE-sign at the valve refers not to the PED. Thus the declaration of conformity is not longer applicable for this directive.

For valves > DN 25 (G 1) Art. 3 § (1) No.1.4 applies.

The basic requirements of the Enclosure I of the PED must be fulfilled. The CE-sign at the valve includes the PED. A certificate of conformity of this directive will be available on request.

Note to Electromagnetic Compatibility Guideline (EEC):

The valves shall be provided with an electrical circuit which ensures the limits of the harmonised standards EN 61000-6-3 and EN 61000-6-1 are observed, and hence the requirements of the Electromagnetic Compatibility Guideline (2004/108/EG) satisfied.