

2/2-way valves DN 15 to DN 25

For aggressive gases and liquids

Pressure actuated by external fluid

Seat valves

Connection DIN 11850 or ISO-welded ends

Operating pressure 0 up to 16 bar (see technical data)

84760

84770

Description (standard valve)

Switching function:	normally closed
Flow direction:	determined
Mounting position:	as required

Process fluid characteristics / Valve material

Fluid temperature:	-10 °C up to max. +180 °C
Ambient temperature:	-10 °C up to max. +60 °C
Body:	Stainless steel (1.4581)
Seat seal:	PTFE
Internal parts:	Stainless steel
Spindle sealing:	PTFE / FPM, self-adjusting

Pilot fluid characteristics / Actuator material

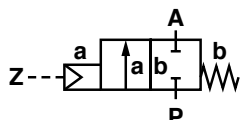
Pilot fluid:	neutral gases
Fluid temperature:	max. +60 °C
Body:	Polyamid 66 with 30 % fibre glass
Seal:	NBR
Internal parts:	Brass, Stainless steel

Features

- Optical position indicator is standard
- Damped closing (valve closes against flow direction)
- Suitable for contaminated process fluids
- Suitable for vacuum up to max. 90 %
- Reversed flow direction optional
- High flow rate

Optional pressure actuation by liquid pilot fluids

Symbol



Ordering Information

To order, quote model number from table overleaf, e.g. 8477400.0000 for a DN 25 valve with ISO-welded ends.



Characteristic data

Valves

Part Number ◊	Nominal Diameter (mm)	Connection to DIN 11850	Operating pressure *		k _v -value ** (Base m ³ /h)	Weight (kg) ***
			min. (bar)	max. (bar)		
8476200.0000 8477200.0000	15	Series 1 ISO	0	16	4.8	1.3
8476300.0000 8477300.0000	20	Series 1 ISO	0	8	10.0	1.4
8476400.0000 8477400.0000	25	Series 2 ISO	0	5	14.0	1.7

* for gases and liquid fluids up to 600 mm²/s (cSt)

State voltage [V] and frequency [Hz]

** C_v-value (US) ≈ k_v-value x 1.2

*** without pilot valve

◊ Note: **0000** without pilot valve
9101 with pilot valve for DC and AC
3037 NAMUR- pilot valve 97100
9151 with pilot valve for DC and AC for quick exhausting

Pilot pressure 3.5 - 10 bar, pilot connection Z2

Pilot pressure 1 - 10 bar, pilot connection Z1

Notes

for 3/2-way pilot valve 84660/84680

Material body brass 2.0402

Pilot fluid temperature max.+60 °C

Pilot pressure: 1-10 bar

Standard voltages: 24 V DC, 24 V AC, 230 V AC

Electrical Data

for 3/2-way pilot valve 84660/84680

Technical data see publication D111402

Design acc. to DIN VDE 0580

Voltage range ± 10 %

Duty cycle (ED) 100 %

Protection class acc.to EN 60529 IP65

Socket acc.to DIN EN 175301-803 (included)

Notes for 3/2-way pilot valve 97100

hole pattern NAMUR

Material body aluminium elox

Pilot fluid temperature -10 °C to +50 °C

Pilot pressure: 2-8 bar

Standard voltages 24 V DC, 24 V AC, 230 V AC

Design acc.to DIN VDE 0580

Voltage range ± 10 %

Duty cycle (ED) 100 %

Protection class acc.to EN 60529 IP65

Socket acc.to DIN EN 175301-803 (included)

Data

for 3/2-way pilot valve 97100

hole pattern NAMUR

Technical data see publication 7503389.XX.XX.XXXX

Design acc. to DIN VDE 0580

Voltage range ± 10 %

Duty cycle (ED) 100 %

Protection class acc.to EN 60529 IP65

Socket acc.to DIN EN 175301-803 (included)

Further Options (Valves)

XXXXX03.XXXX Seat seal FPM,
max. fluid temperature +110 °C

XXXXX06.XXXX Seat seal PTFE,
max. fluid temperature +110 °C

XXXXX01.XXXX Normally open,closes with pilot pressure and
opens with spring force (pilot pressure 1–10 bar)

XXXXX08.XXXX Double acting; 4/2 or 5/2-way-pilot valve required

XXXXX23.XXXX Double electrical position indicator

XXXXX50.XXXX NAMUR interface plate

On request several seals: NBR, FPM, EPDM
stroke limiter
silencer

Mounting accessories

NAMUR

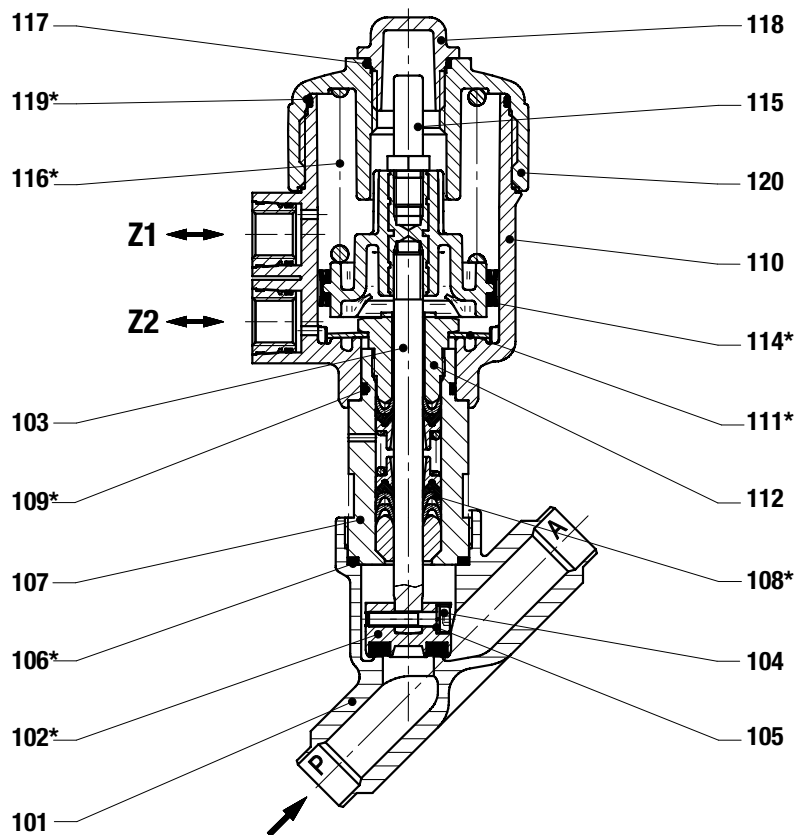
Interface plate NAMUR hole pattern for retrofit,
(part number 1256566) consist of:

1 x NAMUR interface plate

2 x Adapter screw

2 x O-ring

Section View

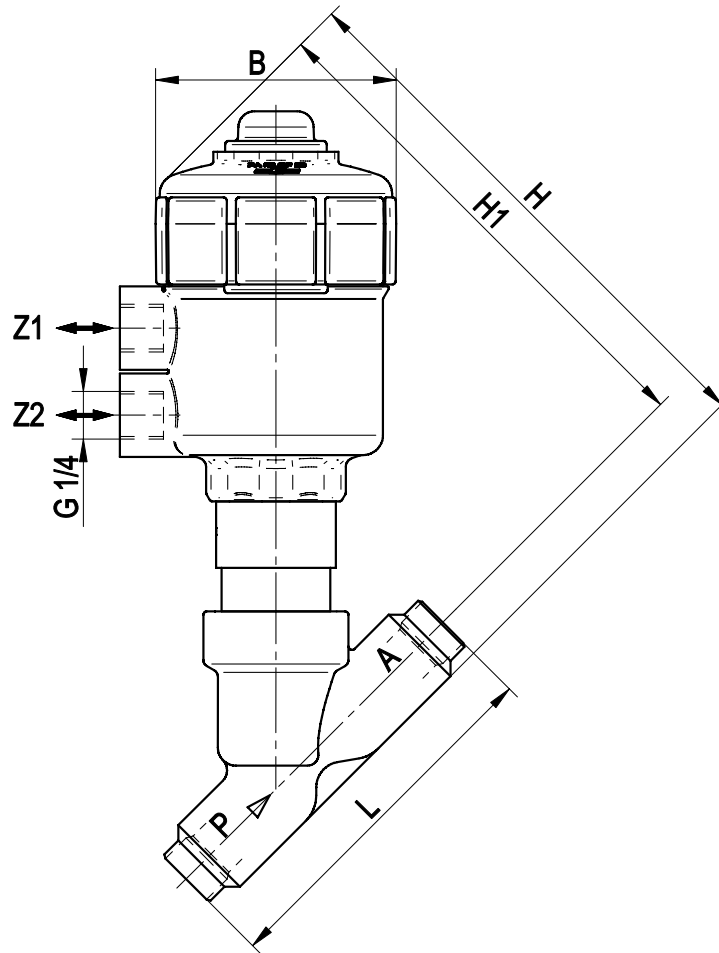


- 101 Valve body
- * 102 Valve plat
- 103 Valve spindle,complete
- 104 Cheese head cap screw
- 105 Spring washer
- * 106 Seal ring
- 107 Screw piece
- * 108 Seal packing
- * 109 O-ring
- 110 Control head housing,bottom part
- * 111 Cup spring
- 112 Screw piece
- * 114 Cylinder packing
- 115 Signal pin
- * 116 Pressure spring
- 117 O-ring
- 118 Cover cap
- * 119 O-ring
- 120 Control head housing cover

* These individual parts form a complete wearing unit.
When ordering spare parts please state Cat No and Series No.

General Dimensions

Actuator may be rotated 360°



Part Number	Nominal Diameter (mm)	Connection to DIN 11850	L (mm)	B* (mm)	H (mm)	H1 (mm)
8476200.0000 8477200.0000	15	Series 1 ISO	100	66	149.5	140.5
8476300.0000 8477300.0000	20	Series 1 ISO	110	66	156.0	145.0
8476400.0000 8477400.0000	25	Series 2 ISO	120	66	165.0	150.5

* B = max. depth

Note to Pressure Equipment Directive (PED):

The valves of this series are according to Art. 3 § 3 of the Pressure Equipment Directive (PED) 97/23/EG. This means interpretation and production are in accordance to engineers practice wellknown in the member countries. The CE-sign at the valve does not refer to the PED. Thus the declaration of conformity is not longer applicable for this directive.

Note to Electromagnetic Compatibility Guideline (EEC):

The valves shall be provided with an electrical circuit which ensures the limits of the harmonised standards EN 61000-6-3 and EN 61000-6-1 are observed, and hence the requirements of the Electromagnetic Guideline (2004/108/EC) satisfied.