

2/2-way-valves DN 15 to DN 25 with EC type examination

For natural gas, liquid gas (gaseous), heating oil EL, L, M, S

Electropneumatic directly actuated

Seat valves

Thread flange PN 40

Operating pressure 0 to 25 bar



Description (Standard valve)

Solenoid valve for neutral gases and liquid fuels

Switching function:	normally closed
Flow direction:	determined
Fluid temperature:	-10 °C up to max. +140 °C
Ambient temperature:	-10 °C up to max. +60 °C
Mounting position:	optional, preferable actuator vertical on top

Material

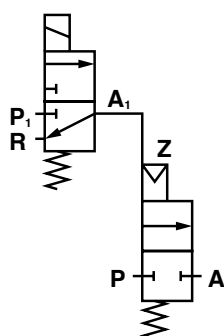
Body:	Cast steel, Stainless steel
Seat seal:	PTFE
Internal parts:	Brass, Stainless steel, Sandvik 1802
Pilot fluid:	neutral gaseous fluids
Temperature:	-10 °C up to max. +80 °C



Features

- Qualification approval acc. to EN 264 / DIN 3394 T2 / EN 161
- Response time < 1s
- Low pressure drop
- Spindle duct acc. to TA-air
- High switching rate

Symbol



Ordering information

To order, quote model number from table overleaf, e. g. 8386400.0247 for a DN 25 valve.

Characteristic Data

Valves

Part Number ◊	Nominal Diameter (mm)	Actuating Pressure		Operating Pressure *		k _v -value ** (Base m ³ /h)	Weight Total *** (kg)
		min. (bar)	max. (bar)	min. (bar)	max. (bar)		
8386200.0247	15	4	8	0	25	5.5	9.0
8386300.0247	20	4	8	0	25	10.0	9.2
8386300.0247	25	4	8	0	25	12.5	9.2

* with gaseous and liquid fluids up to max. 600 mm²/s (cSt)

State voltage [V] and frequency [Hz]

** C_v-value (US) ≈ k_v-value x 1.2

*** without pilot valve

◊ Note: **0000** without pilot valve

0247 with pilot valve for DC

0247 with pilot valve for AC

Solenoid 0247

Standard voltages

DC ===	AC ~ 50 Hz	AC ~ 60 Hz
24 V	24 V	–
–	110 V	120 V
–	230 V	220 V

Design acc. to DIN VDE 0580

Voltage range ±10 %

100 % duty cycle

Protection class acc. to EN 60529 IP65

Socket Form A acc. to DIN EN 175301-803 (included)

Further Options (Valves)

XXXXX**23**.XXXX Electrical position indicator for NO and NC

On request

Solenoids in different EEx protection classes and other versions.
Inspection certificates acc. to DIN EN 10204-3.1

Power Consumption

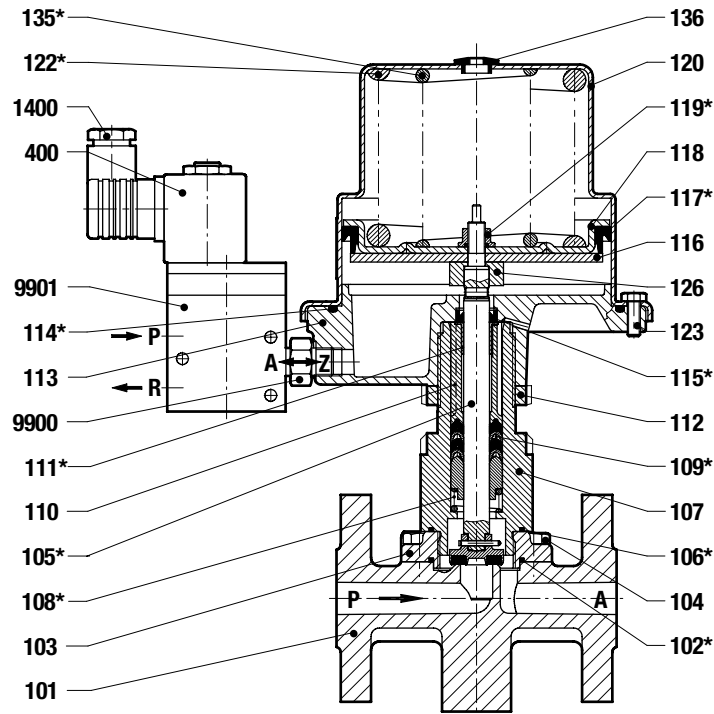
According to DIN VDE 0580 at coil temperature of +20 °C. In operation the power consumption of the solenoid decreases by approx. 30 %

Solenoid	DC ===	AC ~	
		Inrush	Holding
0247	7 W	18 VA	10 VA

Attention!

The conditions imposed on the Ex approvals lead to reduction of the permissible standard temperature ranges in the cases of explosion protected solenoids.

Section View

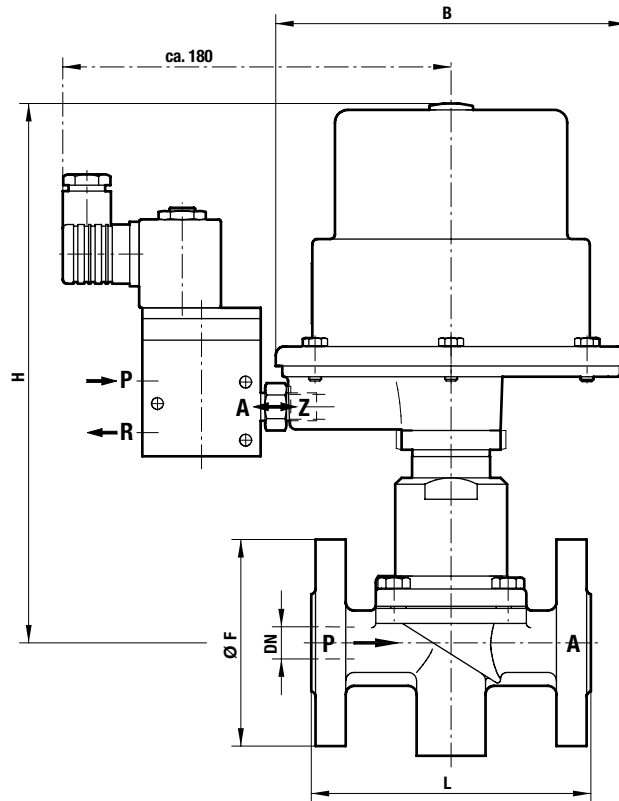


- | | |
|---------------------------------------|----------------------------|
| 101 Valve body | *119 Seal-Lock-Nut |
| *102 O-ring | 120 Control head housing |
| 103 Valve cover | *122 Pressure spring |
| 104 Hexagon screw | 123 Hexagon screw |
| *105 Valve spindle | 124 Indicating label |
| *106 Seal ring | 126 Bush |
| 107 Screw piece | *135 Pressure spring |
| *108 Pressure spring | 136 Locking tappet |
| *109 V-ring seals | 400 Solenoid |
| 110 Spacer bush | 1400 Socket |
| *111 Plain bearing | 9900 Double threaded point |
| 112 Nut | 9901 3/2-way-pilot valve |
| 113 Control head housing, bottom part | 9902 Output plate |
| *114 O-ring | 9903 Indicating label |
| *115 Grooved ring profile 1 | 9904 Lidding foil |
| 116 Round plate | 9905 Lidding foil |
| *117 Grooved ring profile 1 | |
| 118 Round plate | |

* These individual parts form a complete wearing unit.
When ordering spare parts please state Cat. No. and Series No.

General Dimensions

Pilot valve, control head housing and solenoid rotatable 360°
 Socket turnable 4 x 90 °
 (Socket included)



Part Number	Nominal Diameter (mm)	L (mm)	B (mm)	H (mm)	H1 (mm)
8386200.0247	15	130	163	250	96
8386300.0247	20	150	163	265	105
8386300.0247	25	160	163	265	115

Note to Pressure Equipment Directive (PED):

The valves of this series, including the connection size DN 25 (G 1), are according to Art. 3 § 3 of the Pressure Equipment Directive (PED) 97/23/EG. This means interpretation and production are in accordance to engineers practice wellknown in the member countries.

The CE-sign at the valve refers not to the PED. Thus the declaration of conformity is not longer applicable for this directive.

For valves > DN 25 (G 1) Art. 3 § (1) No.1.4 applies.

The basic requirements of the Enclosure I of the PED must be fulfilled.

The CE-sign at the valve includes the PED. A certificate of conformity of this directive will be available on request.

Note to Electromagnetic Compatibility Guideline (EEC):

The valves shall be provided with an electrical circuit which ensures the limits of the harmonised standards EN 61000-6-3 and EN 61000-6-1 are observed, and hence the requirements of the Electromagnetic Compatibility Guideline (2004/108/EG) satisfied.