

3/2-way valve ND 15 to 100



For neutral gaseous and liquid fluids
 Pressure actuated by external fluid
 Seat valves
 Flange connection PN 16
 Operating pressure 0 to 16 bar, see table

Publication 7502700.06.02.98
 Catalogue index
A 10
 83 240 series

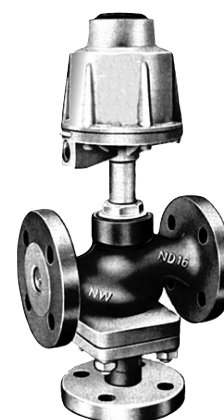
Description (standard valve)

Valve for air, water, oil, hot water and water vapour to
 max. 400 mm²/s(cSt)

Pilot fluid: compressed air and liquid neutral Fluid to +80 °C
 viscosity max. 40 mm²/s(cSt)

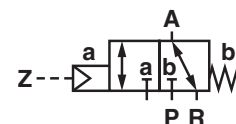
Fluid temperature: max. +180 °C
Ambient temperature: max. +80 °C
Mounting position: optional,
 preferably vertical on top

Material Body: GG
Seat seal: PTFE
Internal parts: 1.4104, 1.4568, 1.4305, Brass



Features

- Suitable for steam
- Different flow direction possible (pressure on connection A)
- High flow rate



Switching function:
 Normally closed

Characteristic data

ND [mm]	Operating pressure with gaseous and liquid fluids up to 400 mm ² /s(cSt) [bar]		Pilot pressure [bar]		k _v -value (Base m ³ /h)		Weight [kg]	Cat no XXXXXXXX.XXXX
	min.	max.	min.	max.	way P→A	way A→R		
15	0	16	4	7	6.1	4.2	4.7	8324200.0000
20	0	16	4	7	12.0	7.0	5.1	8324300.0000
25	0	10	4	7	19.0	12.5	5.7	8324400.0000
32	0	16	4	7	25.0	15.0	13.5	8324500.0000
40	0	16	4	7	39.0	27.0	14.5	8324600.0000
50	0	8	4	7	64.0	43.0	18.5	8324700.0000
65	0	7	4	7	102.0	67.0	25.5	8324800.0000
80	0	4	4	7	144.0	94.0	32.0	8324900.0000
100	0	2	4	7	219.0	144.0	44.0	8325000.0000

IMI Norgren Buschjost GmbH + Co. KG

PO Box 10 02 52-53
 D-32502 Bad Oeynhausen

Tel +49 (0) 57 31 79 10
 Fax +49 (0) 57 31 79 11 79

<http://www.buschjost.com>
 e-mail: mail@buschjost.de

Further models

available at extra cost

- XXXXX53.XXX Pilot fluid water
- XXXXX55.XXX Optical position indicator
- XXXXX57.XXX Electrical position indicator AC/DC
- XXXXX58.XXX Elektrical position indicator only DC max. 30V
- XXXXX64.XXX Elektrical position indicator EEx de IIC T6

An electrical solenoid valve can be attach at the pilot connection Z.

Required parts by ND 15 to ND 50	Cat no
1 pcs. 3/2-way solenoid valve	8495475.0164 DC 8495475.0165 AC

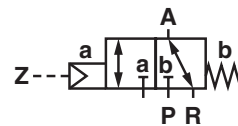
Technical details see publication 7502723.06.XX.XX

Required parts by ND 65 to ND 100	Cat no
1 pcs. 3/2-way solenoid valve for gaseous fluids or 1 pcs. 3/2-way solenoid valve for liquid fluids	8020750.0246 2401103.0801
1 pcs. connection complete	0562610.0000

Technical details see publication 7501049.05.XX.XX
respectively 7500189.05.XXXX

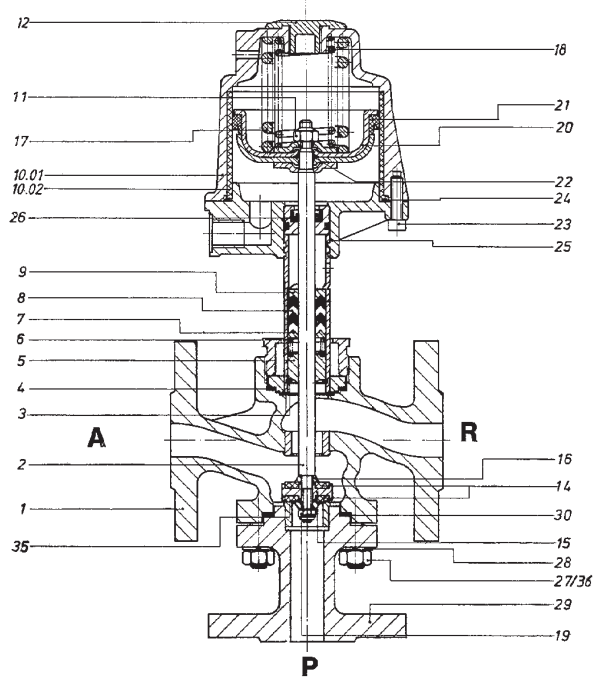
Minimal control pressure and maximal Pression de service Flow direction from A → P and A → R

ND	Pilot pressure min [bar]	Operating pressure max. [bar]
15	5.5	16.0
20	5.5	16.0
25	5.5	16.0
32	5.5	16.0
40	5.5	16.0
50	5.5	12.0
65	5.5	10.0
80	5.5	7.0
100	5.5	5.0



Switching function:
Pressure connection by A;
Flow direction A to R and A to P
(Fork valve)

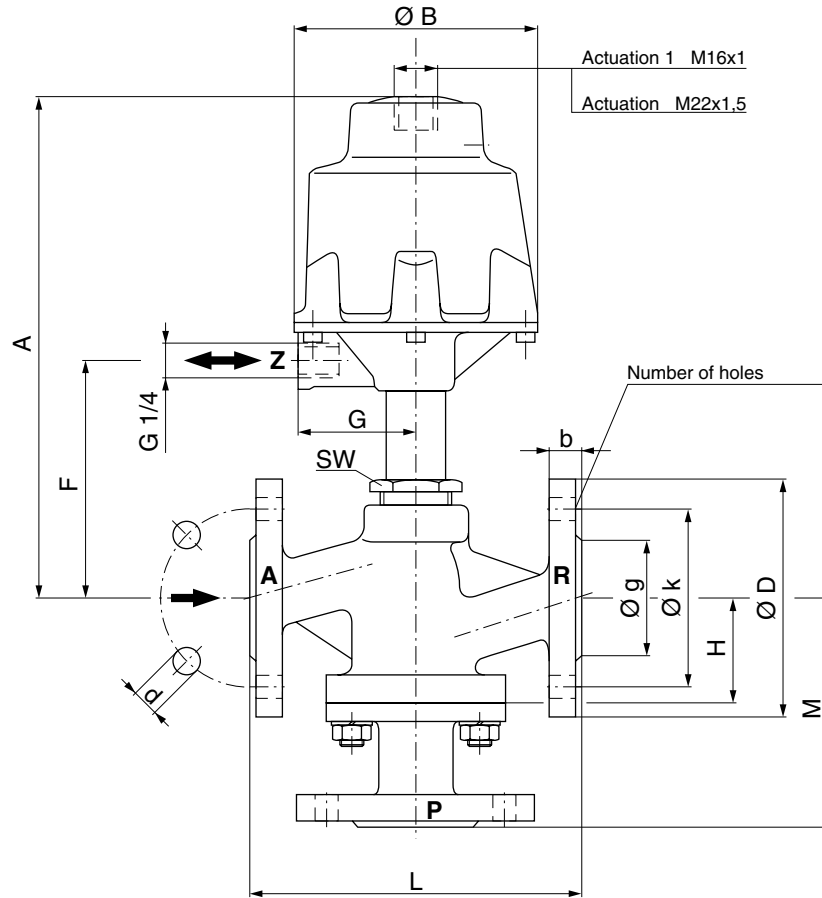
Section



- | | | | |
|-------|------------------|----|-----------------|
| 1 | Valve body | 18 | Pressure spring |
| 2 | Spindle | 19 | Locking nut |
| 3 | Circlip | 20 | Piston complete |
| 4 | Gasket | 21 | Lip ring |
| 5 | Guide bush | 22 | O ring |
| 6 | Spring | 23 | Hexagon nut |
| 7 | Support ring | 24 | O ring |
| 8 | Packing ring | 25 | Actuator body |
| 9 | Compression ring | 26 | Lip ring |
| 10.01 | Actuator cover | 27 | Hexagon nut |
| 10.02 | Sleeve | 28 | Spring washer |
| 11 | Locking nut | 29 | Flange complete |
| 12 | Cap | 30 | Seat Flange |
| 14 | Seal | 35 | O ring |
| 15 | Valve plate | | |
| 16 | Curved washer | | |
| 17 | Pressure spring | | |

When ordering spare parts please state Cat no and series no.

Dimensions



Connection body										
ND	L	ø D	K	M	ø g	ø d	b	n	H	SW
15	130	95	65	97	45	14	14	4	39	41
20	150	105	75	110	58	14	16	4	48	41
25	160	115	85	116	68	14	16	4	54	41
32	180	140	100	140	78	18	18	4	67	41
40	200	150	110	145	88	18	18	4	72	41
50	230	165	125	156	102	18	20	4	80	41
65	290	185	145	182	122	18	20	4	96	55
80	310	200	160	188	138	18	22	8	109	55
100	350	220	180	229	158	18	24	8	130	55

ND	Actuation 1				Actuation 2			
	A	F	G	B	A	F	G	B
15	201	96	48	96	—	—	—	—
20	206	101	48	96	—	—	—	—
25	207	102	48	96	—	—	—	—
32	—	—	—	—	295	145	62	164
40	—	—	—	—	303	153	62	164
50	—	—	—	—	312	162	62	164
65	—	—	—	—	319	169	62	164
80	—	—	—	—	331	181	62	164
100	—	—	—	—	344	194	62	164