

# 2/2-way valves DN 15 to DN 100

For neutral gases and liquids

Pressure actuated by external fluid, with piston actuation

Seat valves

Flange connection PN 16

Operating pressure 0 to 16 bar (see technical data)

83200

## Description (standard valve)

Valve for air, water, oil, hot water and steam up to max. 400 mm<sup>2</sup>/s (cSt)

Type:	pressure actuated seat valve by external fluid
Switching function:	normally closed closed by spring force, opened from P to A by pilot pressure
Flow direction:	determined
Pilot fluid:	air, max. +80 °C
Fluid temperature:	-10 °C up to max. +180 °C
Ambient temperature:	-10 °C up to max. +80 °C
Mounting position:	as required

## Material

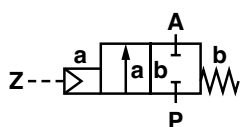
Body:	Grey cast iron
Seat seal:	PTFE
Spindle sealing:	PTFE chevron packing
Internal parts:	Brass, Stainless steel



## Features

- High flow rate
- Suitable for contaminated process fluids
- For robust industry applications
- Damped closing (valve closes against flow direction)

## Symbol



## Ordering information

To order, quote model number from table overleaf, e.g. 8320400.0000.00000 for a DN 25 valve.

**Characteristic data**

Valves

Part Number	Nominal Diameter (mm)	Pilot pressure		Operating pressure *		k <sub>v</sub> -Value ** (Base m <sup>3</sup> /h)	Weight (kg)
		min. (bar)	max. (bar)	min. (bar)	max. (bar)		
8320200.0000.00000	15	4	10	0	16	3.6	3.6
8320300.0000.00000	20	4	10	0	16	6.1	4.6
8320400.0000.00000	25	4	10	0	10	9.5	5.2
8320500.0000.00000	32	4	10	0	10	15.0	10.4
8320600.0000.00000	40	4	10	0	10	23.0	12.2
8320700.0000.00000	50	4	10	0	10	35.0	15.2
8320800.0000.00000	65	4	10	0	7	61.0	22.4
8320900.0000.00000	80	4	10	0	5	90.0	26.0
8321000.0000.00000	100	4	10	0	2.5	138.0	34.5

\* for gases and liquid fluids up to 400 mm<sup>2</sup>/s (cSt)

\*\* C<sub>v</sub>-value (US) ≈ k<sub>v</sub>-value x 1.2

**Further Options (Valves)**

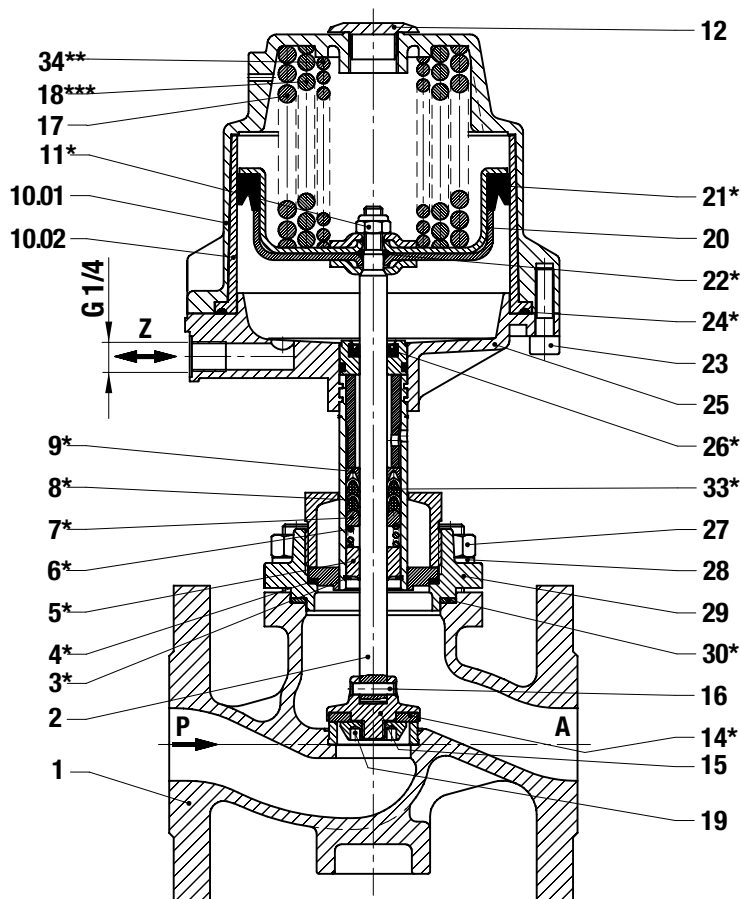
- XXXXX01.XXXX Normally open (NO)
- XXXXX53.XXXX Pilot fluid water
- XXXXX54.XXXX Body cast steel, operating pressure 0 to 12 bar
- XXXXX58.XXXX Electrical position indicator design 2
- XXXXX95.XXXX Body GP 240 H (cast steel),  
Seat seal 1.4112/1.4305 stainless steel,  
Flange PN 40,  
operating pressure depends on connection size,  
maximum fluid temperature +300 °C

On request Further versions

## Section View

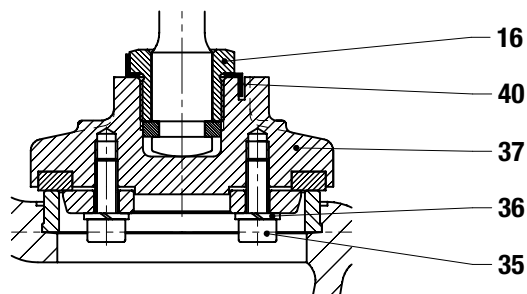
up to DN 50

- 1 Valve body
- 2 Spindle
- \*3 Locking ring
- \*4 Gasket
- \*5 Bushing
- \*6 Pressure spring
- \*7 Supporting ring
- \*8 Sleeve
- \*9 Compression ring
- 10.01 Cover
- 10.02 Piston bushing
- \*11 Hex nut
- 12 Protective cap
- \*14 Gasket
- 15 Valve plate
- 16 Rivet pin
- 17 Pressure spring
- 18 Pressure spring \*\*\*
- 19 Valve plate
- 20 Piston assembly
- \*21 Lip seal
- \*22 O-ring
- 23 Allen head screw
- \*24 O-ring
- 25 Bottom assembly
- \*26 Lip seal
- 27 Hexagon nut
- 28 Spring washer
- 29 Flange
- \*30 Gasket
- \*33 Sleeve
- 34 Pressure spring \*\*



from DN 65

- 16 Collar nut
- 35 Allen head screw
- 36 Spring washer
- 37 Half-shell
- 40 Locking plate

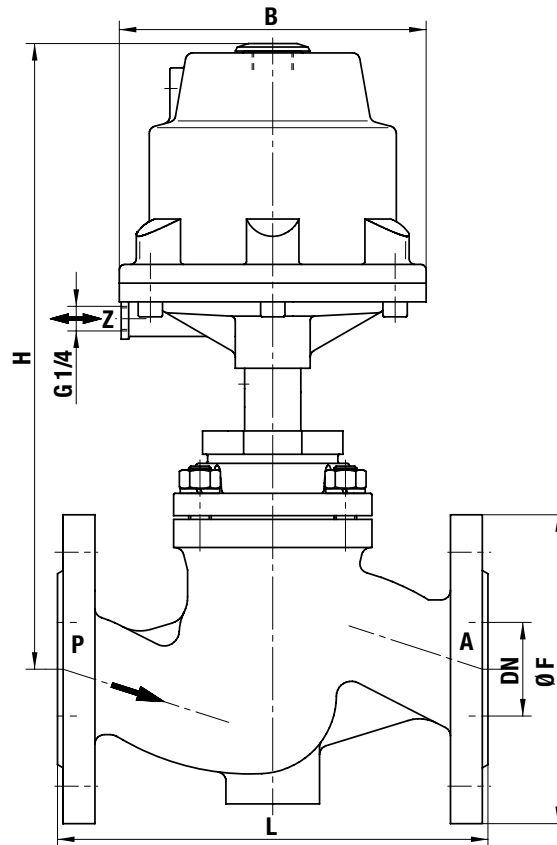


\* These individual parts form a complete wearing unit.  
When ordering spare parts please state Cat No and Series No.

\*\* For DN 50 only

\*\*\* For DN 40 and DN 50 only

General Dimensions



Part Number	Nominal Diameter (mm)	L (mm)	B (mm)	H (mm)	Ø F (mm)
83202XX.0000.00000	15	130	96	218	95
83203XX.0000.00000	20	150	96	227	105
83204XX.0000.00000	25	160	96	233	115
83205XX.0000.00000	32	180	164	314	140
83206XX.0000.00000	40	200	164	319	150
83207XX.0000.00000	50	230	164	329	165
83208XX.0000.00000	65	290	164	339	185
83209XX.0000.00000	80	310	164	360	200
83210XX.0000.00000	100	350	164	381	220

**Note to Pressure Equipment Directive (PED):**

The valves of this series, including the connection size DN 25 (G 1), are according to Art. 3 § 3 of the Pressure Equipment Directive (PED) 97/23/EG. This means interpretation and production are in accordance to engineers practice wellknown in the member countries.

The CE-sign at the valve refers not to the PED. Thus the declaration of conformity is not longer applicable for this directive.

For valves > DN 25 (G 1) Art. 3 § (1) No.1.4 applies.

The basic requirements of the Enclosure I of the PED must be fulfilled.

The CE-sign at the valve includes the PED. A certificate of conformity of this directive will be available on request.

**Note to Electromagnetic Compatibility Guideline (EEC):**

The valves shall be provided with an electrical circuit which ensures the limits of the harmonised standards EN 61000-6-3 and EN 61000-6-1 are observed, and hence the requirements of the Electromagnetic Compatibility Guideline (2004/108/EG) satisfield.