

2/2-way-valves DN 15 to DN 50

For neutral and aggressive gases and liquids

Directly solenoid actuated

Seat valves

Internal threads G 1/2 to G 2

Operating pressure 0 up to 1.5 bar

82660

Click-on[®]

Description (standard valve)

Solenoid valve for e. g. natural gas, city gas

Switching function:	normally closed
Flow direction:	determined
Fluid temperature:	-10 °C up to max. +90 °C
Ambient temperature:	-10 °C up to max. +50 °C
Mounting position:	valve standing or lying, solenoid at 45° angle

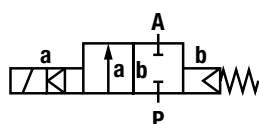
Material

Body:	Brass (CW602N)
Seat seal:	NBR
Internal parts:	Stainless steel

Features

- Easy, compact design
- High flow rate
- Solenoid interchangeable without tools (**Click-on[®]**)

Symbol



Ordering information

To order, quote model number from table overleaf, e. g. 8266400.9401 for a DN 25 valve.

Characteristic Data

Valves

Part Number	Nominal Diameter (mm)	Connection Size	Operating Pressure *		k _v -value ** (Base m ³ /h)	Weight Total (kg)
			min. (bar)	max. (bar)		
8266200.8301	15	G 1/2	0	0.60	3.0	1.28
8266200.9401	15	G 1/2	0	1.50	3.0	2.24
8266300.9401	20	G 3/4	0	1.00	5.5	2.35
8266400.9401	25	G 1	0	0.40	6.1	2.72
8566500.9401	32	G 1 1/4	0	0.25	8.7	3.26
8266600.8401	40	G 1 1/2	0	0.20	16.3	4.06
8266700.8401	50	G 2	0	0.15	27.6	5.02

* for gases and liquid fluids up to 25 mm²/s (cSt)

State voltage [V] and frequency [Hz]

** C_v-value (US) ≈ k_v-value x 1.2

Solenoid 8300 / 8301; 9401 / 9404 and 8401 / 8404

Standard voltages

DC ===	AC ~ 40 Hz – 60 Hz	
24 V	24 V	–
–	110 V	120 V
–	230 V	220 V

Design acc. to DIN VDE 0580

Voltage range ±10 %

100 % duty cycle

Protection class acc. to EN 60529 IP65

Socket Form A acc. to DIN EN 175301-803 (included)

AC with rectifier plug

Power Consumption

According to DIN VDE 0580 at coil temperature of +20 °C. In operation the power consumption of the solenoid decreases by approx. 30 %

Solenoid	DC ===	AC ~	
		Inrush	Holding
830X	22 W	25 VA	25 VA
840X *	40 W	42 VA	42 VA
940X	38 W	45 VA	45 VA

*  coil only

(with the exception of solenoid 94xx up to 41 V AC)

Attention!

The conditions imposed on the Ex approvals lead to reduction of the permissible standard temperature ranges in the cases of explosion protected solenoids.

Further Options (Valves)


On request

further versions, e. g. NPT thread

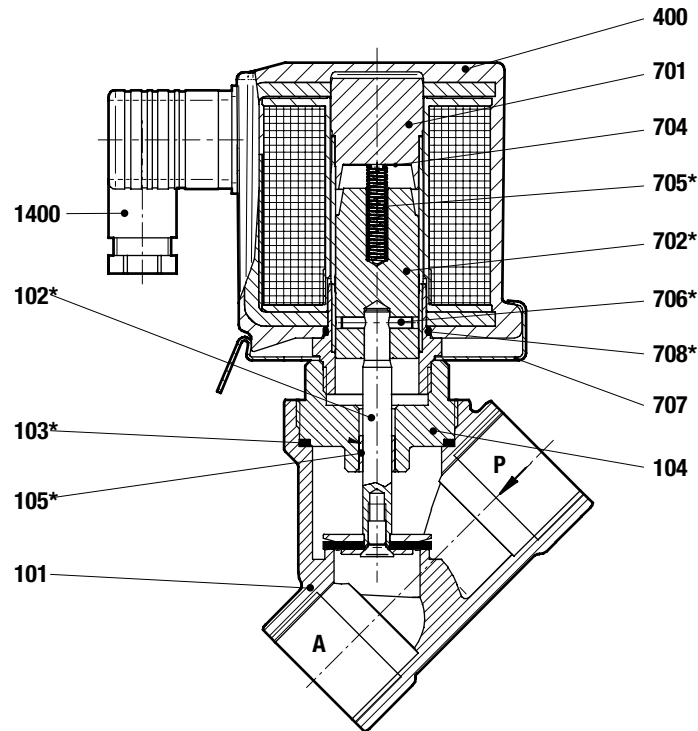
Further Options (Solenoids)

XXXXXXX.8441

Solenoid in protection class

 II 2 GD EEx me II T3 T 140 °C

Section View

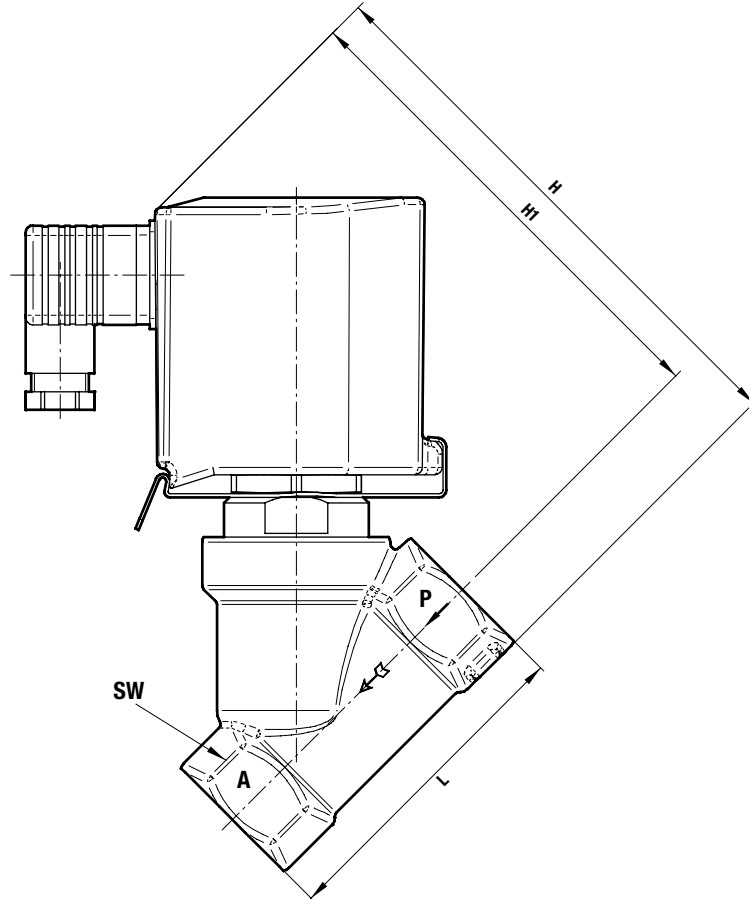


- 101 Valve body
- *102 Valve spindle
- *103 Seal ring
- 104 Screw piece
- *105 Sleeve bearing
- 400 Solenoid
- 701 Core Tube
- *702 Core
- 704 Round plate
- *705 Pressure spring
- *706 Dowel pin
- 707 Spring clip
- *708 O-ring
- 1400 Socket (included)

* These individual parts form a complete wearing unit.
When ordering spare parts please state Cat. No. and Series No.

General Dimensions

Solenoid rotatable 360°
 Socket turnable 4 x 90°
 (Socket included)



Part Number	Nominal Diameter (mm)	Connection Size	L (mm)	H (mm)	H1 (mm)
8266200.8301	15	G 1/2	65	123.40	109.90
8266200.9401	15	G 1/2	65	137.68	125.18
8266300.9401	20	G 3/4	75	145.42	129.92
8266400.9401	25	G 1	90	154.70	134.20
8566500.9401	32	G 1 1/4	110	175.99	151.49
8266600.8401	40	G 1 1/2	120	184.86	136.86
8266700.8401	50	G 2	150	195.58	163.58

Note to Pressure Equipment Directive (PED):

The valves of this series, including the connection size DN 25 (G 1), are according to Art. 3 § 3 of the Pressure Equipment Directive (PED) 97/23/EG. This means interpretation and production are in accordance to engineers practice wellknown in the member countries.

The CE-sign at the valve refers not to the PED. Thus the declaration of conformity is not longer applicable for this directive.

For valves > DN 25 (G 1) Art. 3 § (1) No.1.4 applies.

The basic requirements of the Enclosure I of the PED must be fulfilled. The CE-sign at the valve includes the PED. A certificate of conformity of this directive will be available on request.

Note to Electromagnetic Compatibility Guideline (EEC):

The valves shall be provided with an electrical circuit which ensures the limits of the harmonised standards EN 61000-6-3 and EN 61000-6-1 are observed, and hence the requirements of the Electromagnetic Compatibility Guideline (2004/108/EG) satisfied.