

## 2/2-way valves DN 1.5 to DN 5.0

For neutral gases and liquids

Directly solenoid actuated

Seat valves

Internal threads G 1/8 to G 3/8 or 1/8 NPT to 3/8 NPT

Operating pressure 0 to 40 bar

82510

82520

### Description (standard valve)

Solenoid valve for neutral gases and liquids

Switching function:	normally closed
Flow direction:	determined
Fluid temperature:	-10 °C up to max. +90 °C
Ambient temperature:	-10 °C up to max. +50 °C
Mounting position:	optional, preferably solenoid vertical on top

### Material

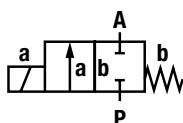
Body:	Brass (CW617N)
Seat seal:	NBR
Internal parts:	Stainless steel, Brass

For contaminated fluids insertion of a strainer is recommended (see **Buschjost** accessories).

### Features

- Suitable for vacuum
- High flow rate
- Functional compact design
- Body with M5 fastening thread as standard
- Solenoid interchangeable without tools (**Click-on**)
- Valve operates without pressure differential

### Symbol



### Ordering information

To order, quote model number from table overleaf. e.g. 8251820.9101 for a DN 2.5 valve.

**Click-on**<sup>®</sup>



**Characteristic data**

Valves normally closed

Part Number	Nominal Diameter (mm)	Connection size	Operating pressure*		K <sub>v</sub> -value ** (Base m <sup>3</sup> /h)	Weight (kg)
			min. (bar)	max. (bar)		
8251800.9101 8252800.9101	1.5	G 1/8 1/8 NPT	0	25	0.07	0.33
8251000.9101 8252000.9101	1.5	G 1/4 1/4 NPT	0	25	0.07	0.33
8251100.9101 8252100.9101	1.5	G 3/8 3/8 NPT	0	25	0.07	0.33
8251820.9101 8252820.9101	2.5	G 1/8 1/8 NPT	0	10	0.15	0.33
8251020.9101 8252020.9101	2.5	G 1/4 1/4 NPT	0	10	0.15	0.33
8251120.9101 8252120.9101	2.5	G 3/8 3/8 NPT	0	10	0.15	0.33
8251820.9151 8252820.9151	2.5	G 1/8 1/8 NPT	0	40	0.15	0.57
8251020.9151 8252020.9151	2.5	G 1/4 1/4 NPT	0	40	0.15	0.57
8251120.9151 8252120.9151	2.5	G 3/8 3/8 NPT	0	40	0.15	0.57
8251840.9101 8252840.9101	3.0	G 1/8 1/8 NPT	0	4	0.21	0.33
8251040.9101 8252040.9101	3.0	G 1/4 1/4 NPT	0	4	0.21	0.33
8251140.9101 8252140.9101	3.0	G 3/8 3/8 NPT	0	4	0.21	0.33
8251840.9151 8252840.9151	3.0	G 1/8 1/8 NPT	0	20	0.21	0.57
8251040.9151 8252040.9151	3.0	G 1/4 1/4 NPT	0	20	0.21	0.57
8251140.9151 8252140.9151	3.0	G 3/8 3/8 NPT	0	20	0.21	0.57
8251860.9151 8252860.9151	4.0	G 1/8 1/8 NPT	0	12	0.35	0.57
8251060.9151 8252060.9151	4.0	G 1/4 1/4 NPT	0	12	0.35	0.57
8251160.9151 8252160.9151	4.0	G 3/8 3/8 NPT	0	12	0.35	0.57
8251880.9151 8252880.9151	5.0	G 1/8 1/8 NPT	0	6	0.50	0.57
8251080.9151 8252080.9151	5.0	G 1/4 1/4 NPT	0	6	0.50	0.57
8251180.9151 8252180.9151	5.0	G 3/8 3/8 NPT	0	6	0.50	0.57

Valves normally open

8251001.9101 8252001.9101	1.5	G 1/4 1/4 NPT	0	16	0.07	0.33
8251021.9101 8252021.9101	2.5	G 1/4 1/4 NPT	0	6	0.15	0.33
8251021.9151 8252021.9151	2.5	G 1/4 1/4 NPT	0	25	0.15	0.57
8251041.9151 8252041.9151	3.0	G 1/4 1/4 NPT	0	3	0.21	0.33
8251041.9151 8252041.9151	3.0	G 1/4 1/4 NPT	0	16	0.21	0.57
8251061.9151 8252061.9151	4.0	G 1/4 1/4 NPT	0	8	0.35	0.57

\* for gases and liquid fluids up to 25 mm<sup>2</sup>/s (cSt)

State voltage [V] and frequency [Hz]

\*\* C<sub>v</sub>-value (US) P K<sub>v</sub>-value x 1.2

**Solenoid 9101 / 9151**

Standard voltage

DC ---	AC ~ 50 Hz	AC ~ 60 Hz
24 V	24 V	—
—	110 V	120 V
—	230 V	220 V

Design acc. to DIN VDE 0580

Voltage range  $\pm 10\%$ 

100 % duty cycle

Protection class acc. to EN 60529 IP65

Socket Form A acc. to DIN EN 175301-803 (included)

**Power Consumption**

According to DIN VDE 0580 at coil temperature of +20 °C. In operation the power consumption of the solenoid decreases by approx. 30 %.

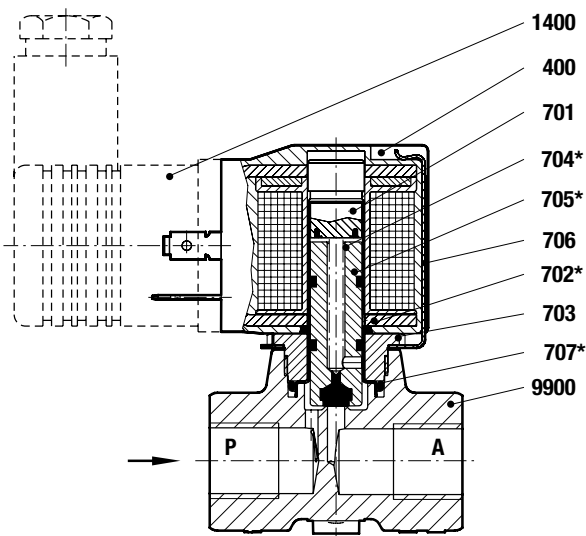
Solenoid	DC ---	AC ~	
		Inrush	Holding
9101 *	8 W	15 VA	12 VA / 7 W
9151 *	18 W	9 VA	9 VA / 7 W

\*  coil only**Attention!**

The conditions imposed on the Ex approvals lead to reduction of the permissible standard temperature ranges in the cases of explosion protected solenoids.

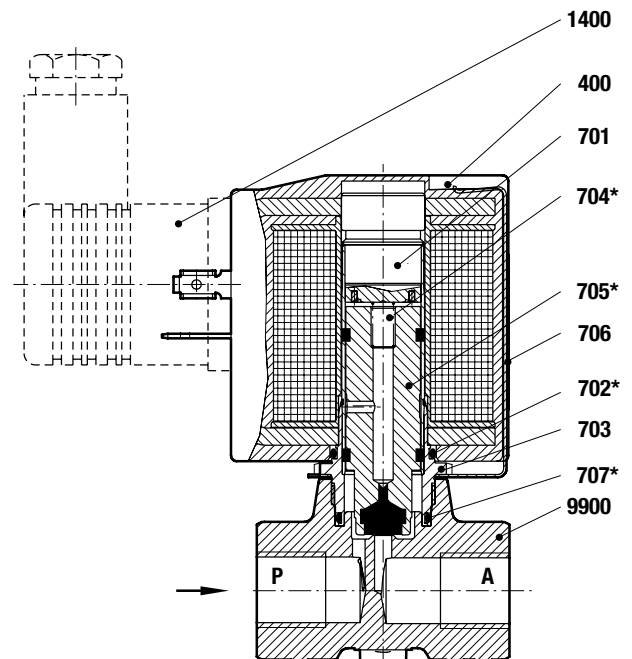
**Section View**

with solenoid 9101



- 400 Solenoid
- 701 Core tube
- \*702 O-ring
- 703 Screw piece
- \*704 Pressure spring
- \*705 Plunger
- 706 Spring clip
- \*707 O-ring
- 1400 Electrical connector (included)
- 9900 Valve body

with solenoid 9151



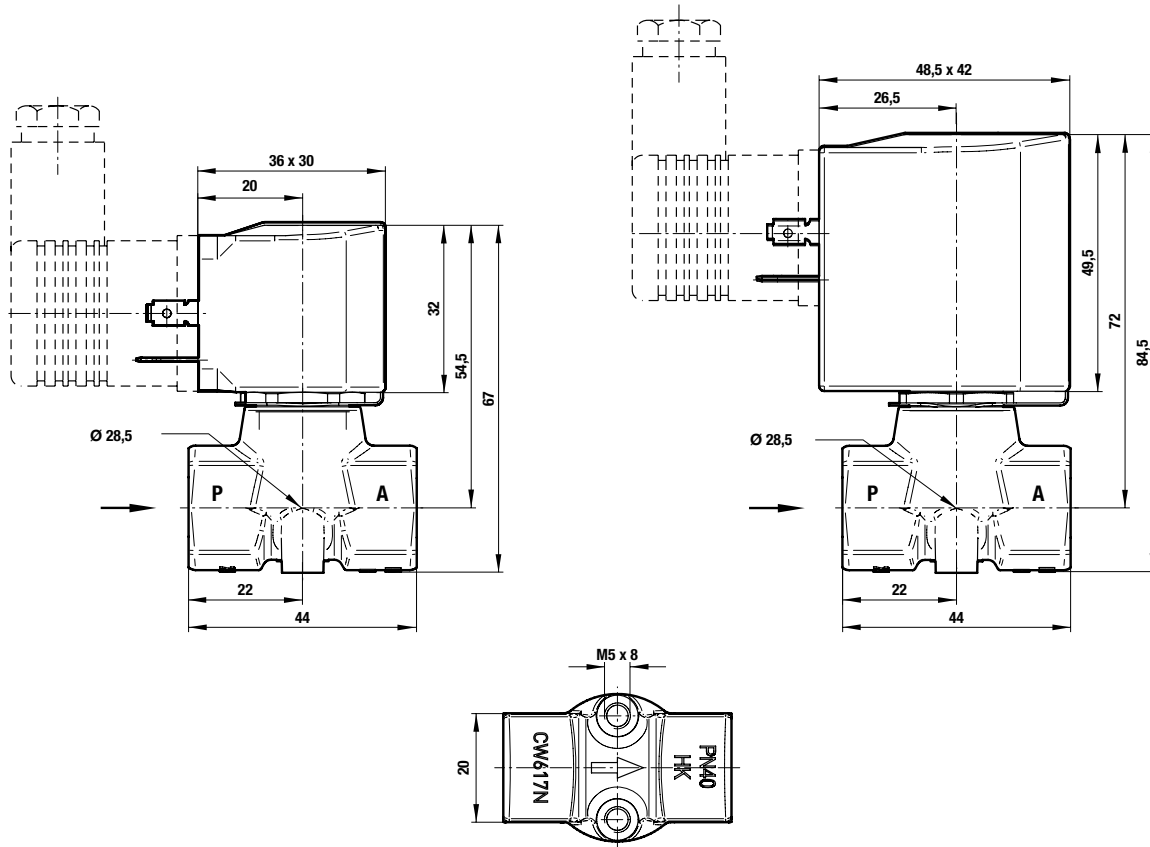
\* These individual parts form a complete wearing unit.  
When ordering spare parts please state Cat No. and Series No.

### General Dimensions

Solenoid rotatable 360°  
 Socket turnable 4 x 90°  
 (Socket included)

with solenoid 9101

with solenoid 9151



#### Note to Pressure Equipment Directive (PED):

The valves of this series are according to Art. 3 § 3 of the Pressure Equipment Directive (PED) 97/23/EG. This means interpretation and production are in accordance to engineers practice wellknown in the member countries. The CE-sign at the valve does not refer to the PED. Thus the declaration of conformity is not longer applicable for this directive.

#### Note to Electromagnetic Compatibility Guideline (EEC):

The valves shall be provided with an electrical circuit which ensures the limits of the harmoniised standards EN 61000-6-3 and EN 61000-6-1 are observed, and hence the requirements of the Electromagnetic Guideline (2004/108/EC) satisfied.